

Dometic-Aire™

Parts List

This supplementary parts list and wiring diagram is applicable to the following R.V. unit models:

QC110
QC135

These sheets will identify the parts that are in the above models and must be used when replacement parts are required or ordered.

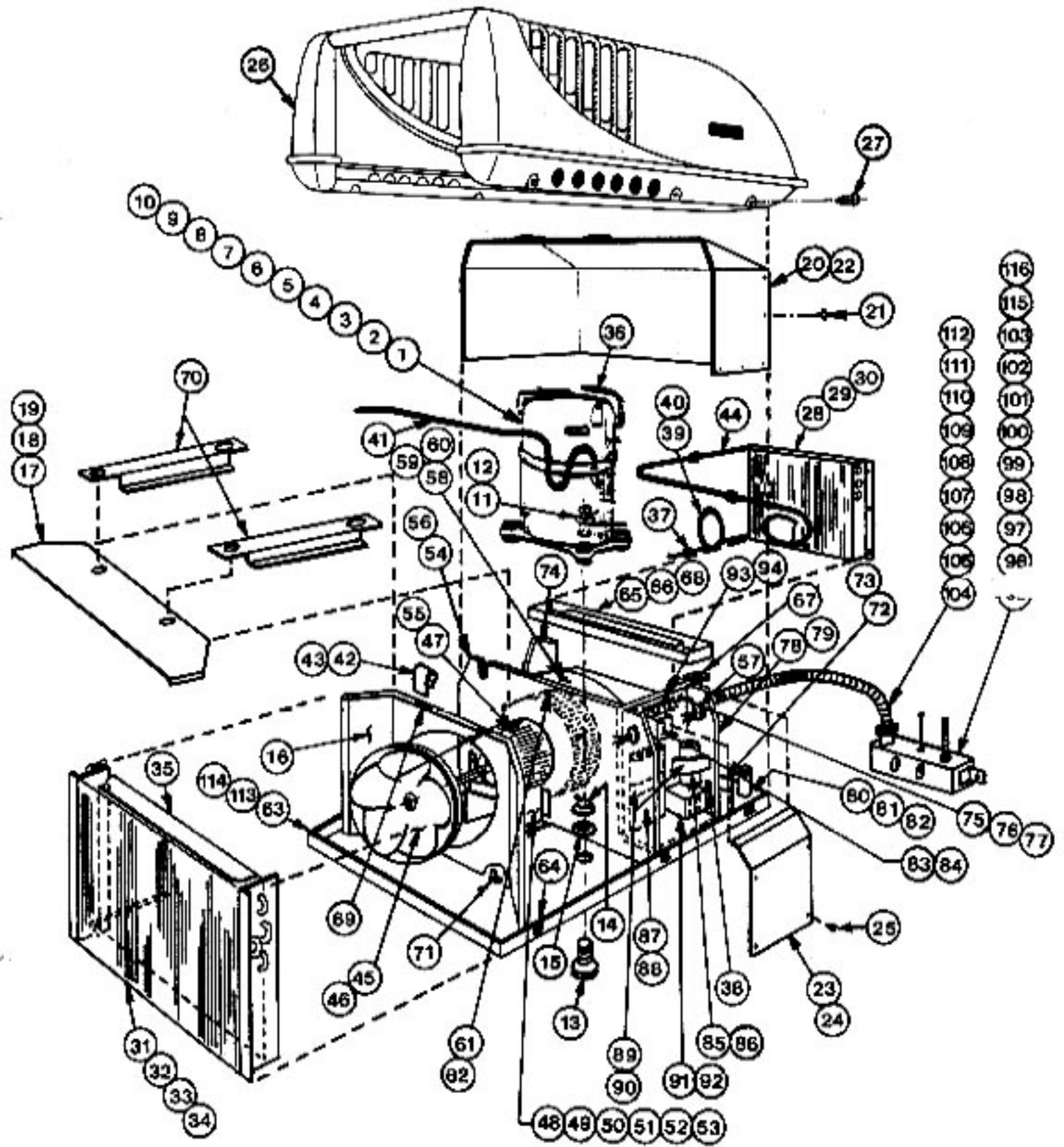
For installation and operating instructions, please use the enclosed Dometic booklet.

Optional Electric Heat Kit (Model No. A70011) is available for field installation.



Dometic

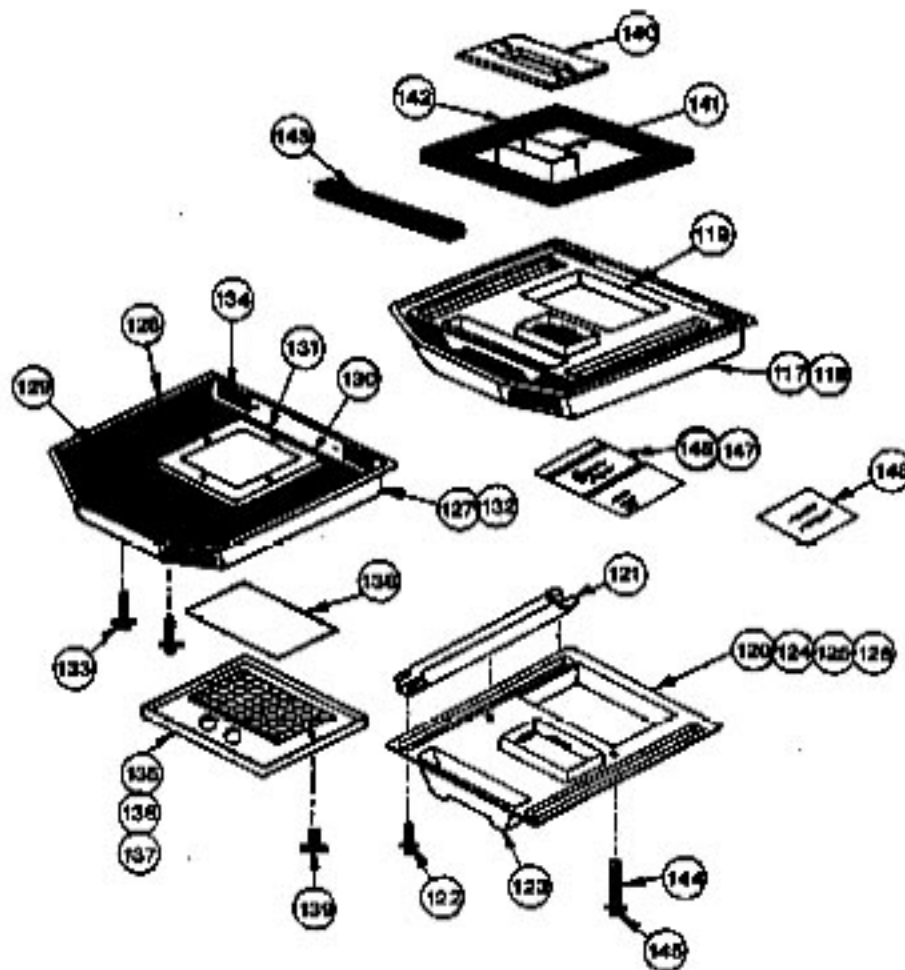
PARTS LIST INDEX



PARTS LIST INDEX

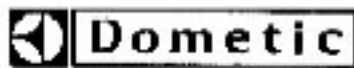
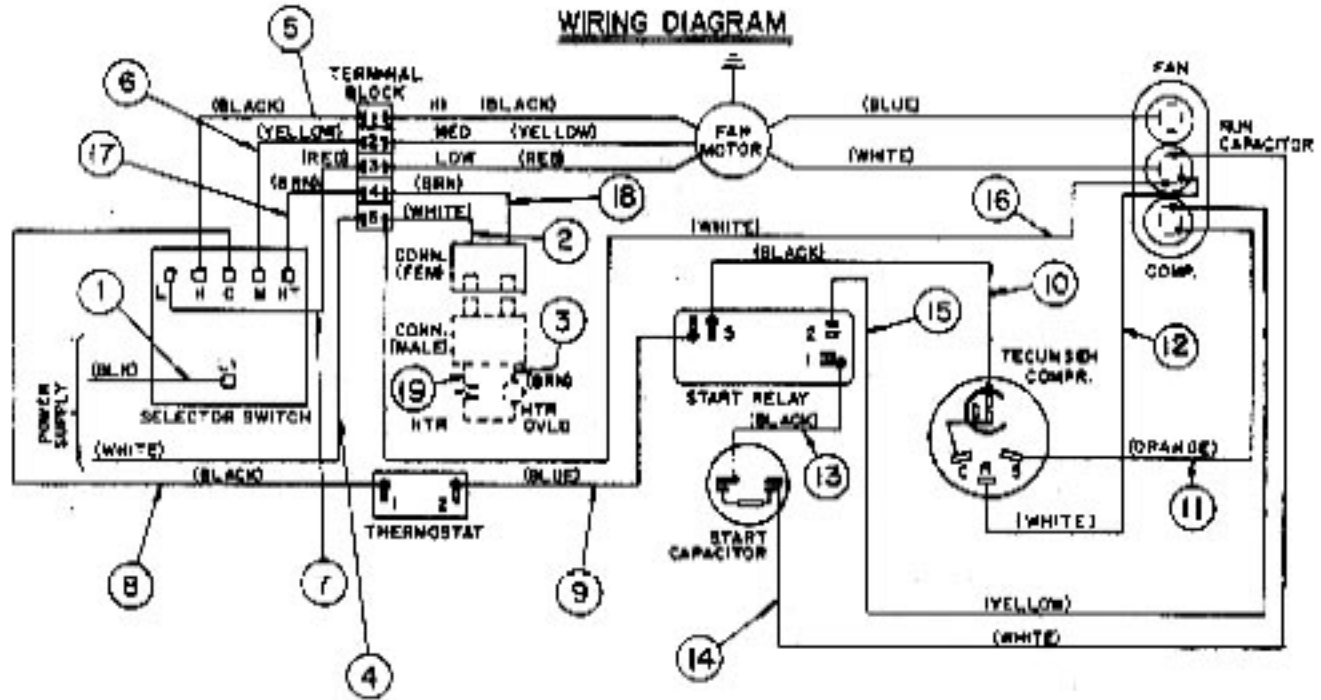
Item No.	Quantity	Part No.	Description	Item No.	Quantity	Part No.	Description
1	1	P10878	Compressor W/Oil (QC110)	59	2	S40921	Blower Housing Bracket
2	1	P11090	Compressor W/Oil (QC135)	60	9	Y06024	Screw, #8 X 3/8" Lg.
3	1	E12043	Overload (QC110)	61	1	Y21222	Clamp
4	1	E12092	Overload (QC135)	62	1	F11621	Blower Wheel
5	1	Y99481	Overload Spring	63	1	S40461	Base Fan
6	1	S25581	Mounting Plate, Compressor	64	7	Y16591	"U" Nut
7	1	S25351	Retainer Spring	65	1	R13899	Seal Strip 1/2 X 1/4
8	1	R11081	Terminal Cover Gasket	66	2	R11131	Drain Pan Gasket
9	1	J18171	Terminal Cover	67	1	J22301	Drain Pan
10	1	Y27161	Bale Strap	68	1	L10481	Filter, Drain Pan
11	4	R13781	Compressor Grommet	69	2	Y16402	"U" Nut
12	4	J22571	Compressor Nut	70	2	S40481	Brace
13	4	Y07962	Carriage Bolt, 5/16 - 18 X 1 1/4	71	2	S38881	Condenser Fan Bracket
14	4	Y13592	Nut, 5/16 - 18	72	1	RT10011	Insulation, Base Rear
15	4	Y18124	Washer, 7/16 I.D.	73	1	RT10010	Insulation, Base Front
16	1	J22741	Condenser Fan Housing	74	1	S40571	Partition, Right Side
17	1	S38741	Condenser Cover	75	1	RT10009	"J" Box Back
18	1	R13899	Seal Strip, 1/2 X 1/4	76	7	Y35186	Screw, #8 X 1/2" LG
19	2	Y35186	Screw, #8 X 3/4" Lg.	77	1	L19991	Insulation "J" Box Back
20	1	A60049	Evaporator Cover Assy	78	1	S40561	Partition, Left Side
21	12	Y35186	Screw, #8 X 1/2" Lg.	79	1	L19641	Insulation, Partition Left Side
22	1	E13794	Seal Strip, 1/2 X 3/8	80	1	S40521	Nut Plate, Right
23	1	S40491	"J" Box Cover	81	1	S40511	Nut Plate, Left
24	1	N22311	Wiring Diagram	82	2	Y14291	Rivnut
25	8	Y35186	Screw, #8 X 1/2" LG	83	1	RT10001	Heater Plate
26	1	A60061	Shroud Roof Top Assy	84	2	Y35186	Screw, #8 X 1/2" Lg.
27	7	Y35144	Screw, #8 X 3/4" Lg.	85	1	B50061	Start Capacitor (QC110)
28	1	T60091	Evaporator Coil (QC110)	86	1	B45202	Start Capacitor (QC135)
29	1	T60093	Evaporator Coil (QC135)	87	1	B47014	Run Capacitor (QC110)
30	6	Y35186	Screw, #8 X 1/2" LG	88	1	B47022	Run Capacitor (QC135)
31	1	T51181	Condenser Coil (QC110)	89	2	S40581	Capacitor Strap
32	1	T51182	Condenser Coil (QC135)	90	4	Y35186	Screw, #8 X 1/2" Lg.
33	2	Y04574	Screw, #8 X 3/8" Lg.	91	1	E11201	Relay
34	6	Y35186	Screw, #8 X 1/2" Lg.	92	2	Y35186	Screw, #8 X 1/2" Lg.
35	1	R13899	Polyfoam	93	1	RT10096	Terminal Block
36	1	RT10120	Process Tube	94	2	Y05158	Screw, #8 X 3/4" Lg.
37	1	RT10082	Grommet	95	1	A60090	Control Box
38	1	E16451	Connector Cap (Female)	96	1	E30621	Selector Switch
39	1	T13633	Capillary Tube (QC110)	97	2	Y01451	Screw, #8-32 X 3/16" Lg.
40	1	T13629	Capillary Tube (QC135)	98	1	R10061	Grommet
41	1	T10584	Discharge Line	99	1	S40361	Control Box Access Cover
42	2	Y20943	Tube Clamp	100	2	Y04574	Screw, #8 X 3/8" Lg.
43	2	Y35186	Screw, #8 X 1/2" Lg.	101	2	J24221	Control Knob
44	1	T10481	Suction Line	102	1	B50071	Strain Relief Bushing
45	1	F12021	Condenser Fan	103	1	Y13641	Nut, #10-24
46	1	Y20671	Fan Clamp	104	1	RT10039	Flexible Conduit
47	1	M15050	Fan Motor	105	2	RT10186	Anti-short Bushing
48	1	S40441	Motor Mounting Bracket	106	1	RT10040	Connector Flex. Conduit
49	9	Y06024	Screw, #8 X 3/8" Lg.	107	1	E18671	Item No. 5 - Wire Assy
50	2	S35361	Motor Cradle Bracket	108	1	E18632	Item No. 6 - Wire Assy
51	1	Y35186	Screw, #8 X 1/2" Lg. (Ground Screw)	109	1	E18633	Item No. 7 - Wire Assy
52	4	Y03196	Screw, #10 X 1/2" Lg. W/Lockwasher	110	1	E18634	Item No. 8 - Wire Assy
53	2	Y24221	Clamp, Motor Mount	111	1	E18635	Item No. 9 - Wire Assy
54	1	S40471	Air Baffle Partition	112	1	E18652	Item No. 10 - Wire Assy
55	2	RT10164	Gasket (Motor Seal)	113	2	Y18124	Washer 7/16 I.D.
56	1	L19611	Insulation, Air Baffle Partition	114	2	Y14291	Rivnut
57	1	E14181	Connector Flex. Conduit (QT)	115	1	B40301	Thermistor
58	1	S40451	Blower Housing Assy	116	2	Y01451	Screw, #8-32 X 3/16" Lg.

PARTS LIST INDEX



Item No.	Quantity	Part No.	Description
117	1	A60091	Air Box Assy
118	1	A60071	Control Panel Assy
119	1	A60081	Ceiling Assy
120	1	J24371	Retainer Plate
121	2	S40311	Channel Support
122	6	Y05154	Screw #8 X 3/8 Lg.
123	6	Y16902	"U" Nut
124	1	R13794	Polyfoam
125	1	R14561	Polyfoam
126	1	N22311	Wiring Diagram Label
127	1	J24411	Air Box Housing
128	1	R14561	Polyfoam
129	1	R14591	Insulation, Rear
130	1	R14601	Insulation, Right Hand
131	1	R14601	Insulation, Left Hand
132	2	Y14122	Retainer Nut #8-32
133	6	Y35186	Screw #8 X 1/2 Lg.
134	4	A60051	Louver Assy
135	1	J24381	Control Panel
136	1	N22341	Control Plate - Cooling Only
137	1	N22331	Control Plate - Heat/Cool (Optional)
138	1	L10521	Filter
139	2	Y19081	Thumb Screw
140	1	A60101	Air Duct Collar Assy
141	1	J24401	Air Duct
142	1	RT10075	Mounting Gasket
143	1	RT10076	Mounting Strip
144	4	Y07471	Threaded Rod 5/16-18 X 6 Lg.
145	4	Y19969	Hex Nut. W/Lockwasher 5/16-18
146	1	R110328	Warranty Card
147	1	K27169	Installation Manual
148	1	K27167	Service Center Booklet

WIRING DIAGRAM



ITEM NO.	QUANTITY	DESCRIPTION	ITEM NO.	QUANTITY	DESCRIPTION
1	1	E18612 (BLACK)	11	1	E18657 (ORANGE)
2	1	E18501 (WHITE)	12	1	E18658 (WHITE)
3	1	E18492 (BROWN)	13	1	E18644 (BLACK)
4	1	E18671 (WHITE)	14	1	E18645 (WHITE)
5	1	E18632 (BLACK)	15	1	E18646 (YELLOW)
6	1	E18633 (YELLOW)	16	1	E18639 (WHITE)
7	1	E18634 (RED)	17	1	E18635 (BROWN)
8	1	E18654 (BLACK)	18	1	E18502 (BROWN)
9	1	E18655 (BLUE)	19	1	E18491 (WHITE)
10	1	E18656 (BLACK)			

